

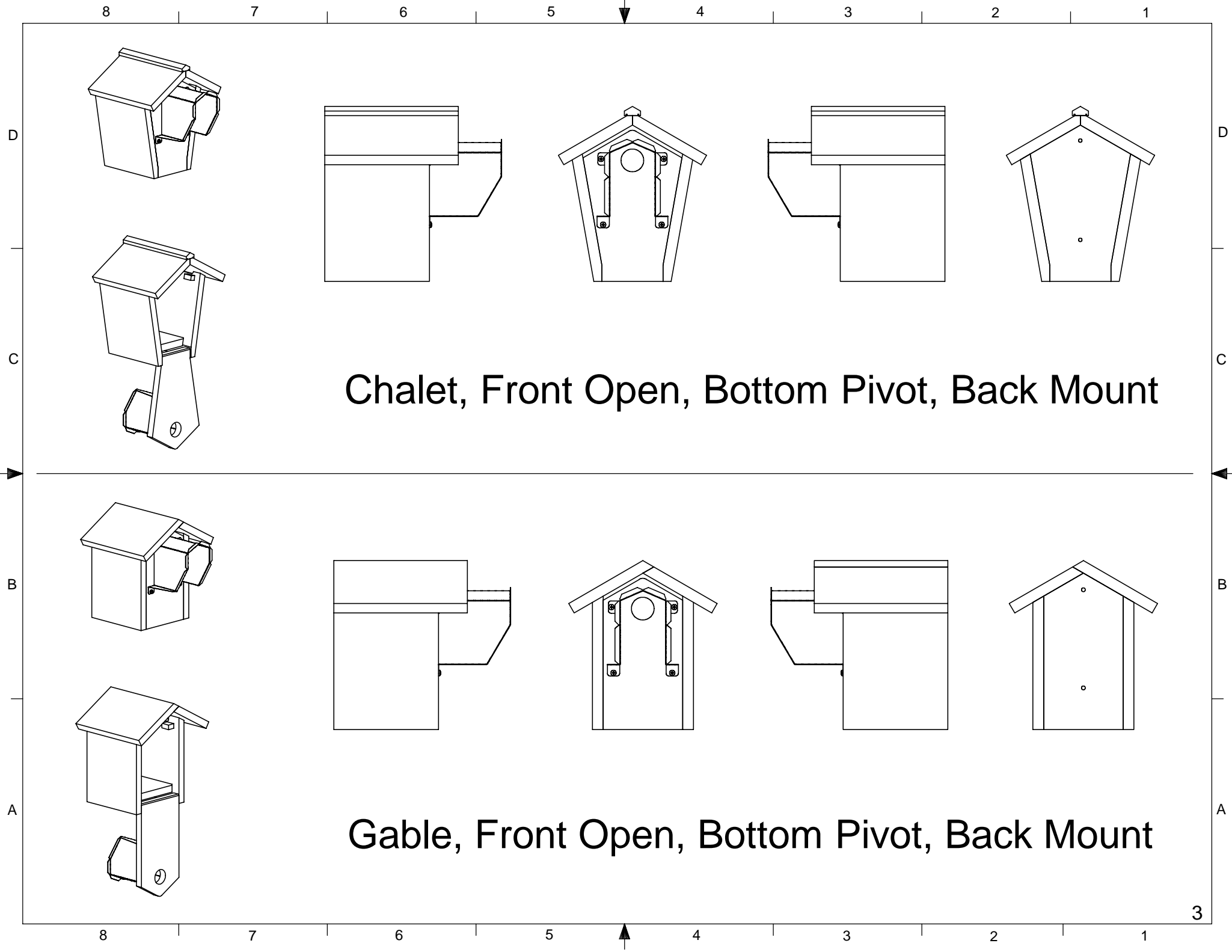
Kritter Gard[©]

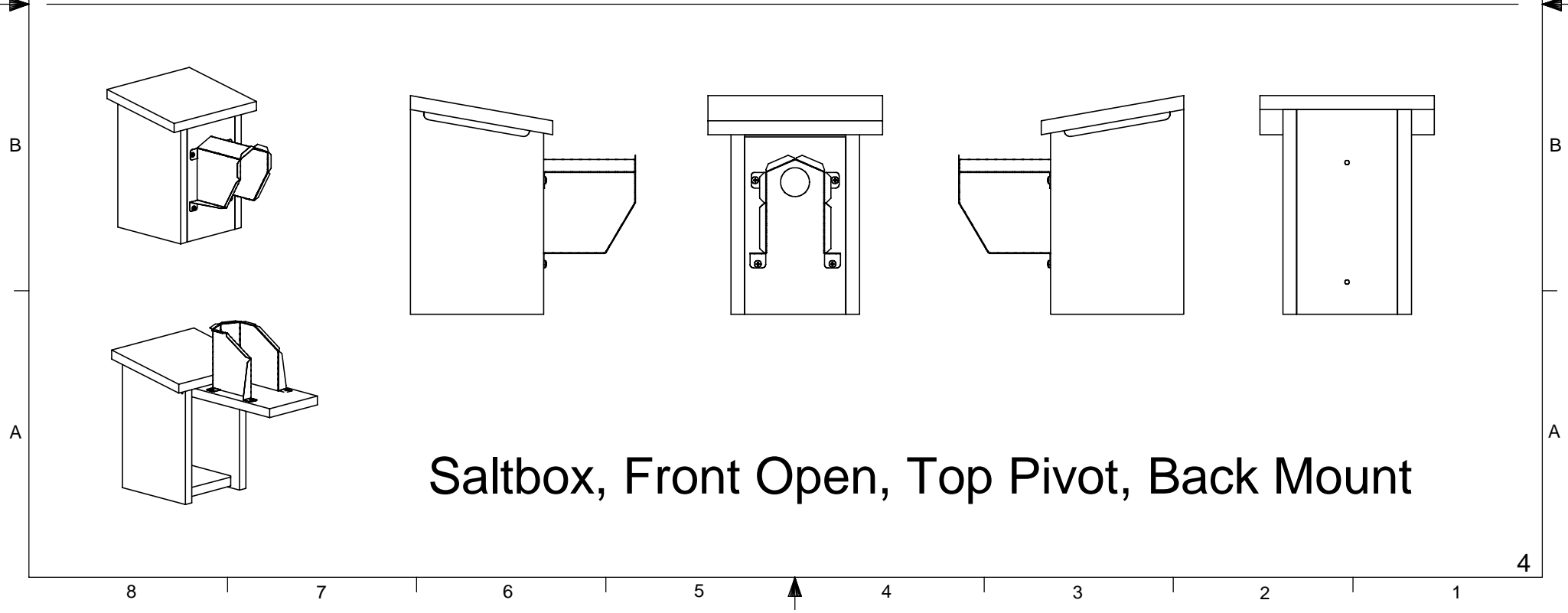
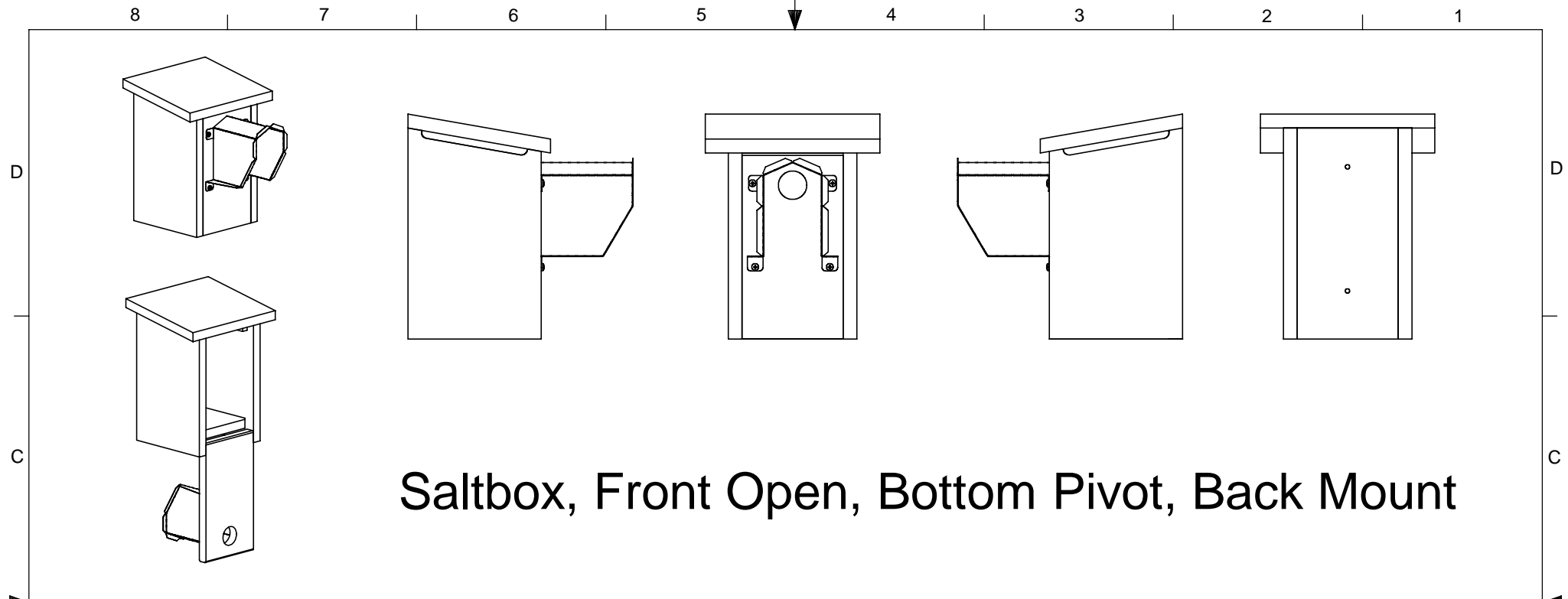
Typical Birdhouse Installations

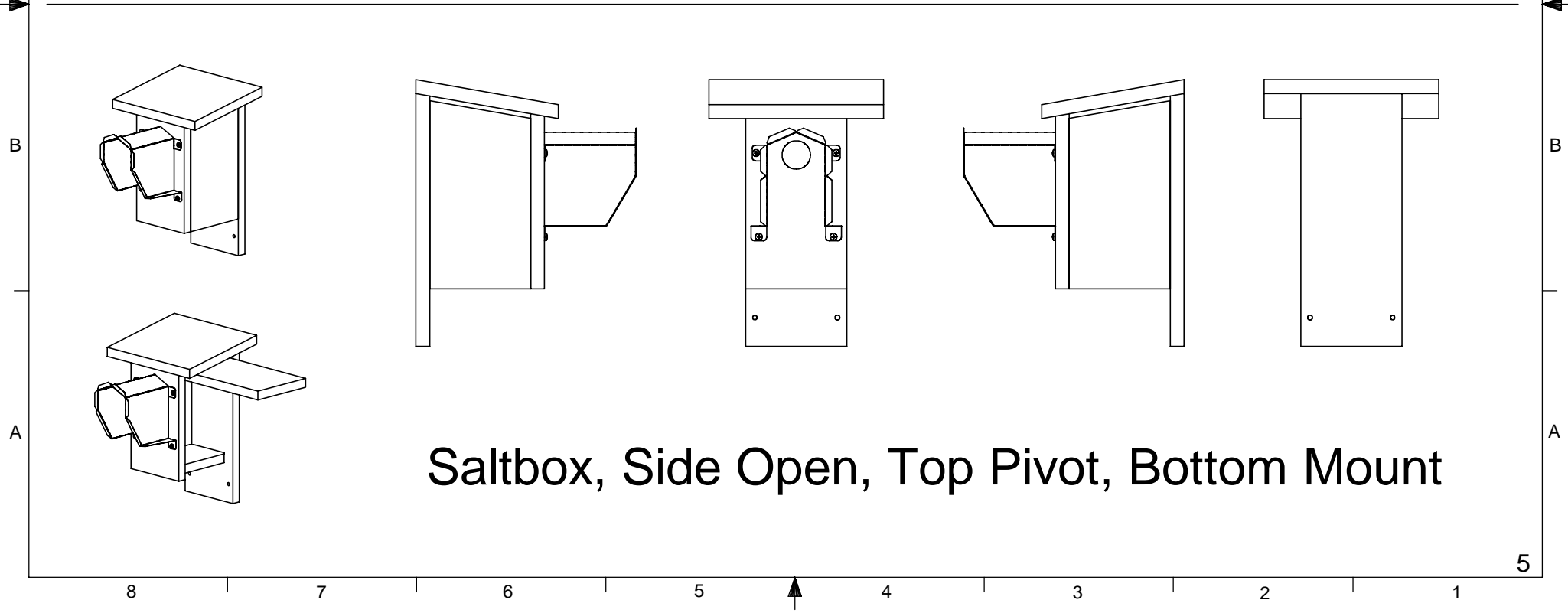
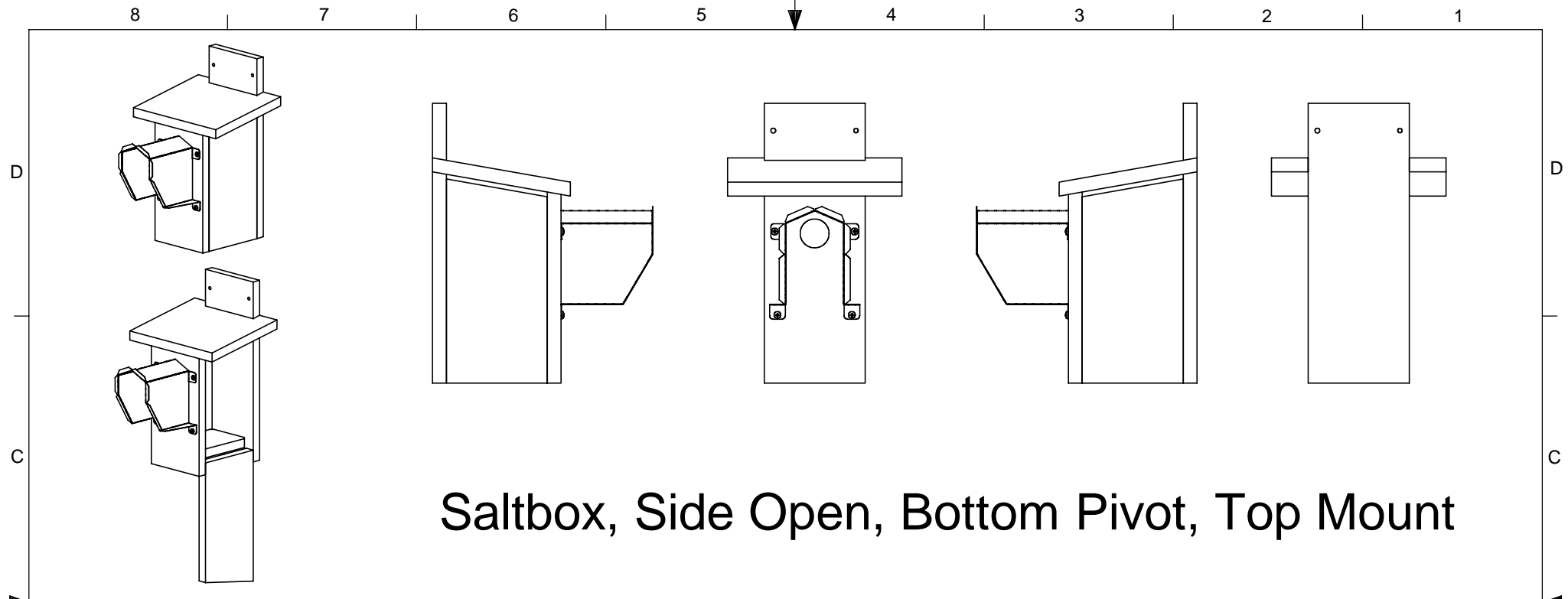
Typical Birdhouse Designs

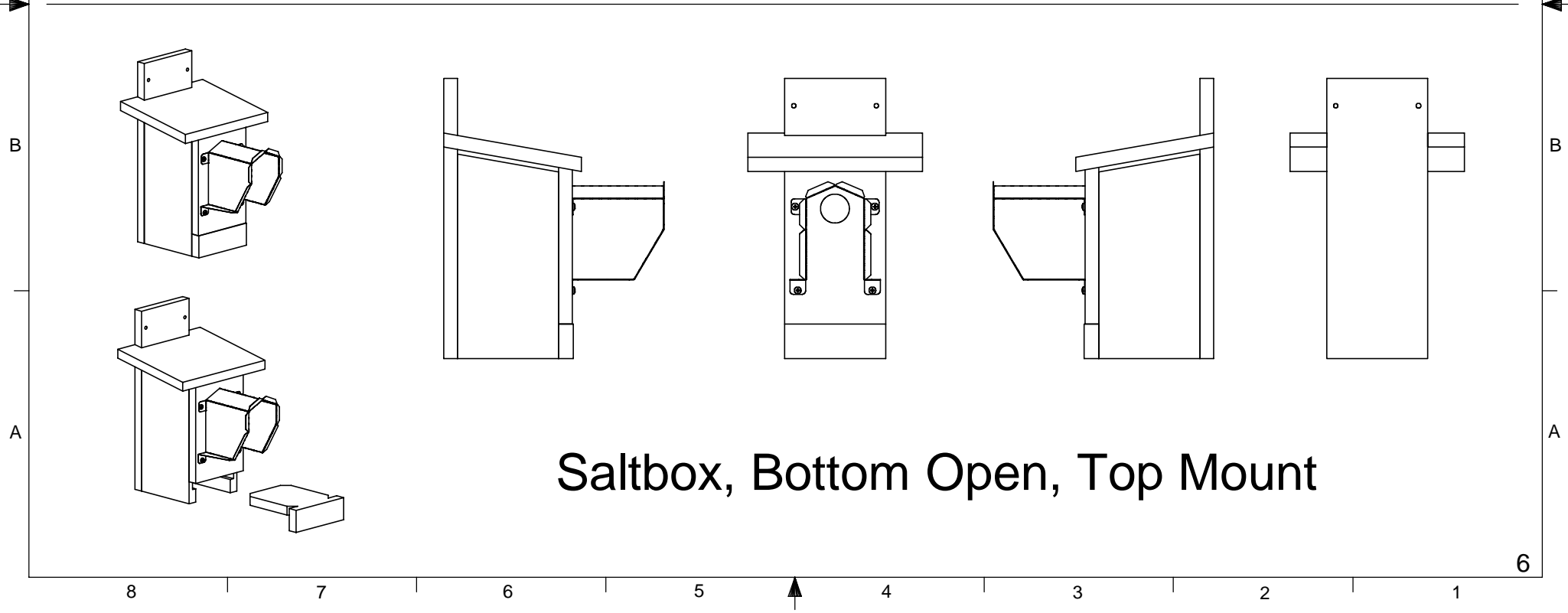
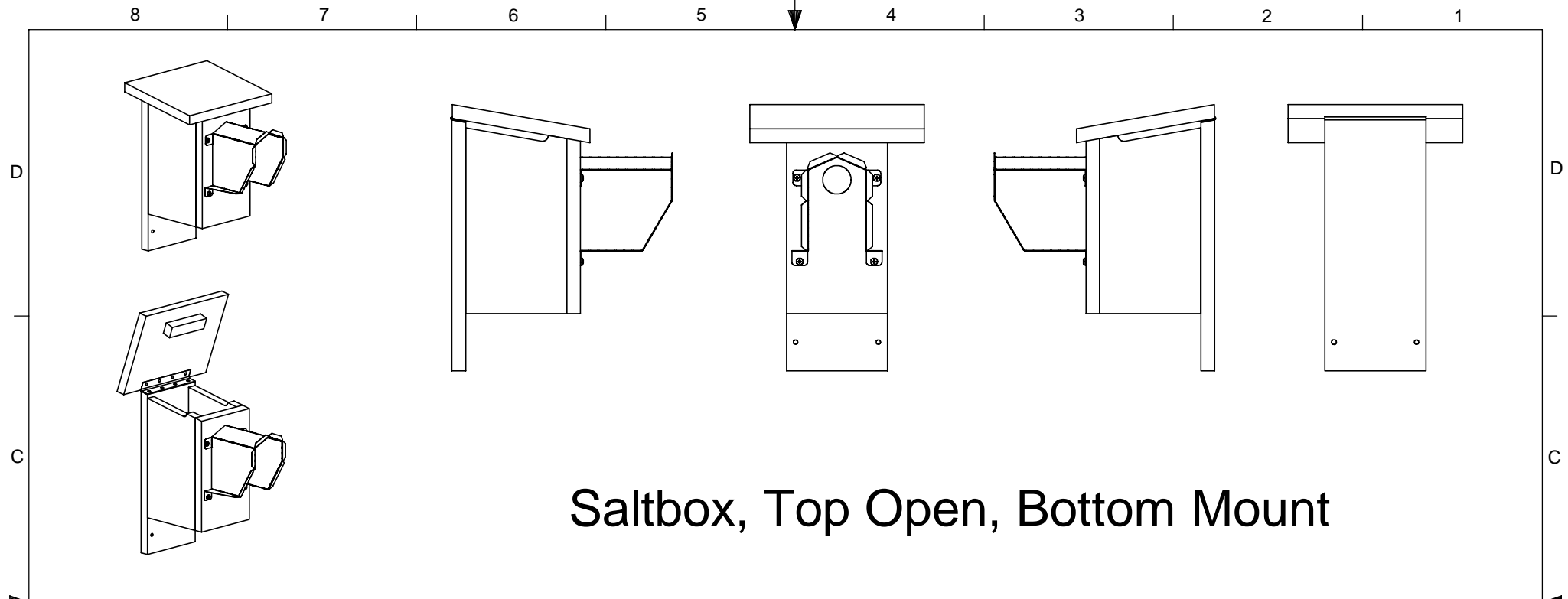
Type	Page
Chalet, Front Open, Bottom Pivot, Back Mount	3
Gable, Front Open, Bottom Pivot, Back Mount	3
Saltbox, Front Open, Bottom Pivot, Back Mount	4
Saltbox, Front Open, Top Pivot, Back Mount	4
Saltbox, Side Open, Bottom Pivot, Top Mount	5
Saltbox, Side Open, Top Pivot, Bottom Mount	5
Saltbox, Top Open, Bottom Mount	6
Saltbox, Bottom Open, Top Mount	6
Square, Front Open, Bottom Pivot, Back Mount	7
Square, Front Open, Top Pivot, Back Mount	7
Square, Side Open, Bottom Pivot, Top Mount	8
Square, Side Open, Top Pivot, Bottom Mount	8
Square, No Opening, Bottom Mount	9
Square, No Opening, Top Mount	9
Detailed Saltbox, Front Open, Bottom Pivot, Back Mount	10
Detailed Gable, Air Cooled, Front Open, Bottom Pivot, Back Mount***	11

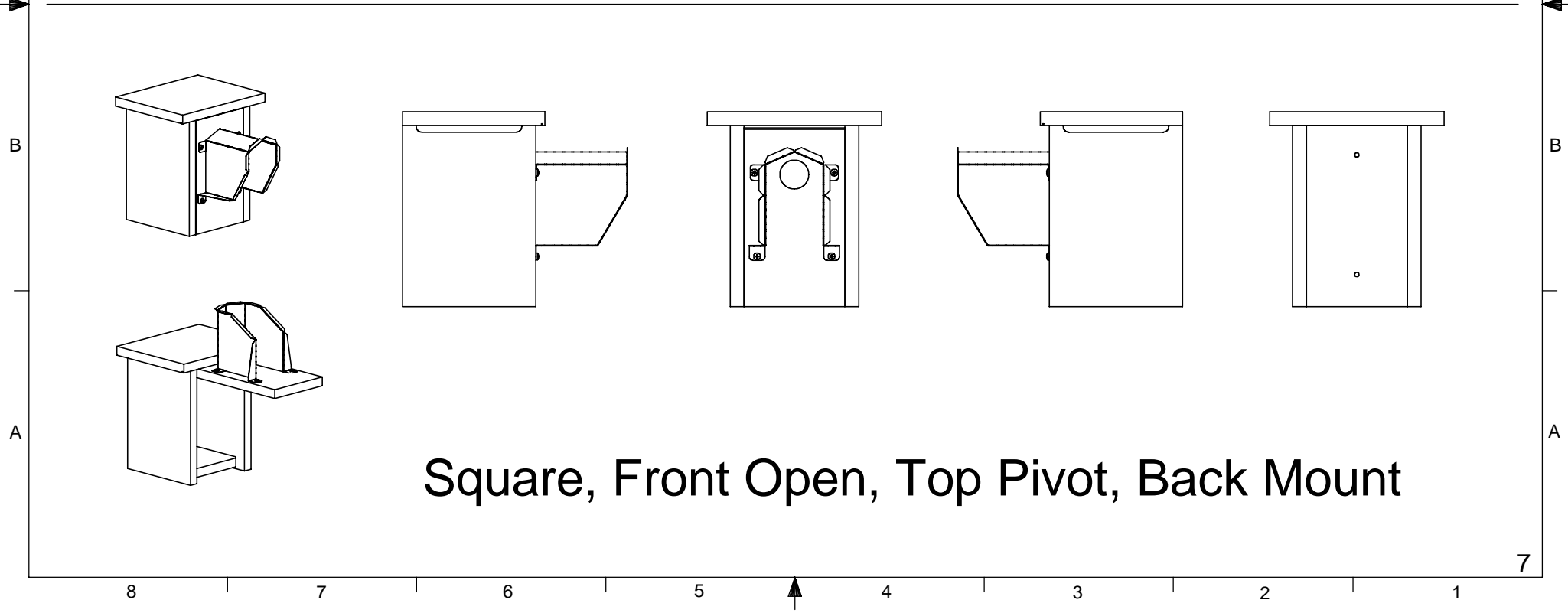
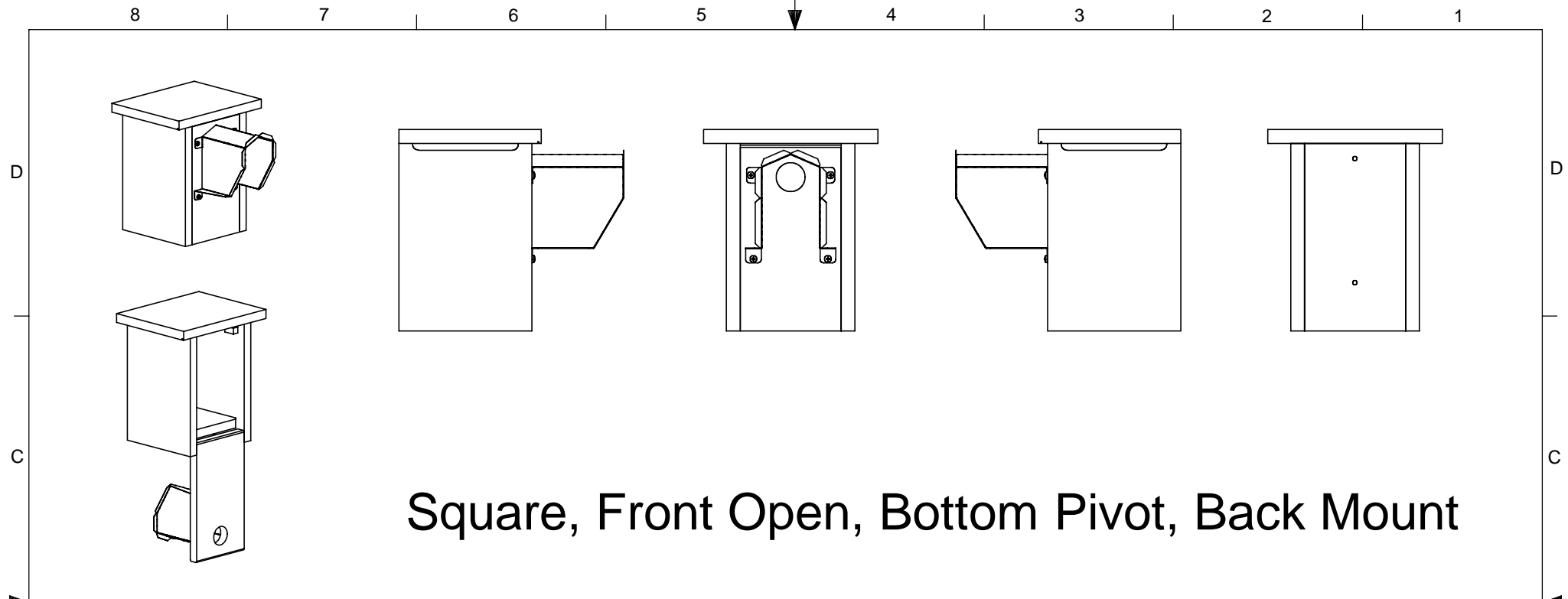
*** A Proprietary Functional Product Design for hot humid areas, that promotes cool air circulation within birdhouses by natural, upward flow of hot air, i.e., the convection-cooling principal. Increased air circulation helps prevent the interior from exceeding the external ambient temperature while cooling the birds inside. Note the “Air Inlet Grooves” on both sides of the front and back, also note the large “Air Exhaust Area” @ top of both sides and entire top of front. The design is adaptable to most birdhouse types and available to anyone that installs a Kritter Gard© on their birdhouse.

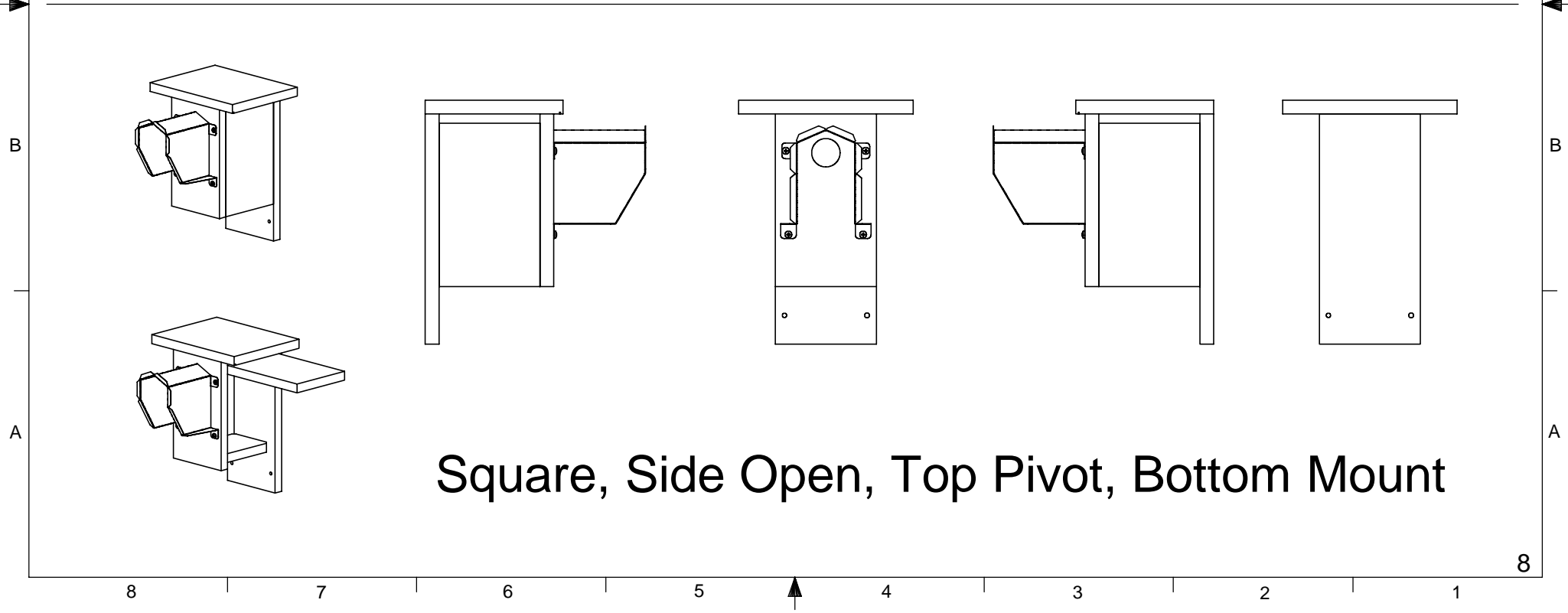
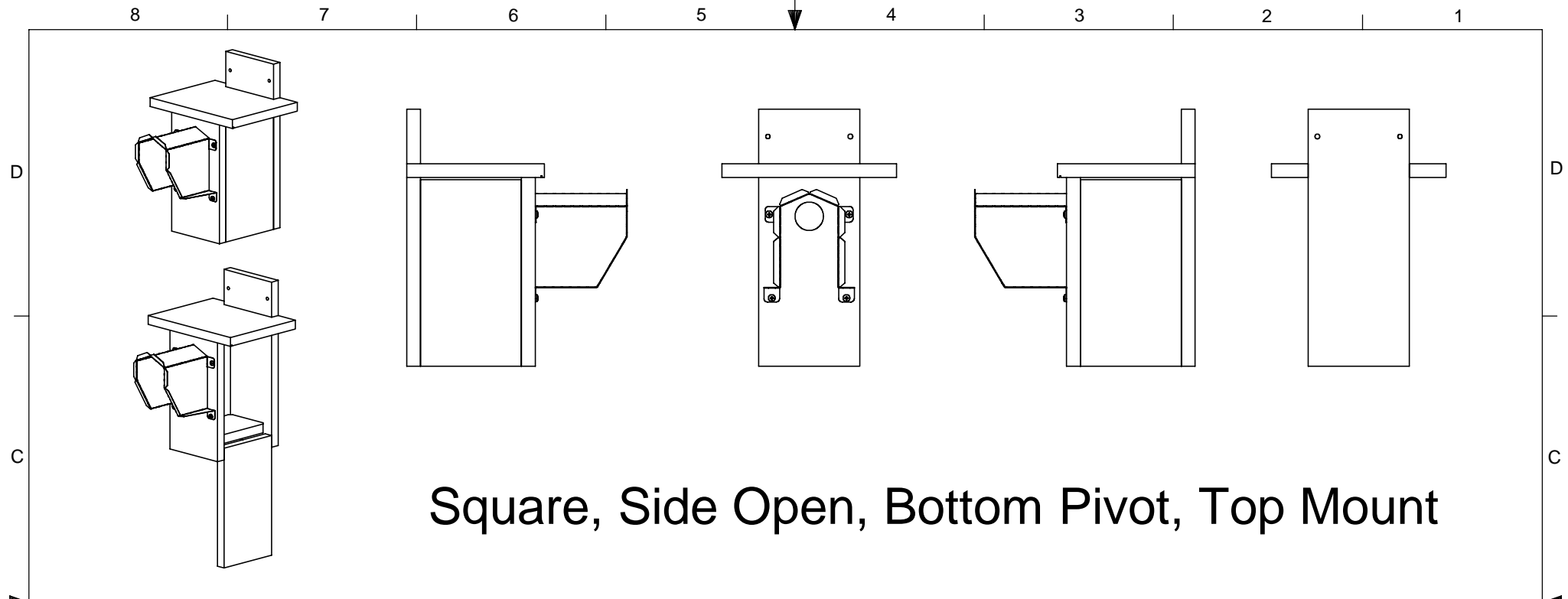


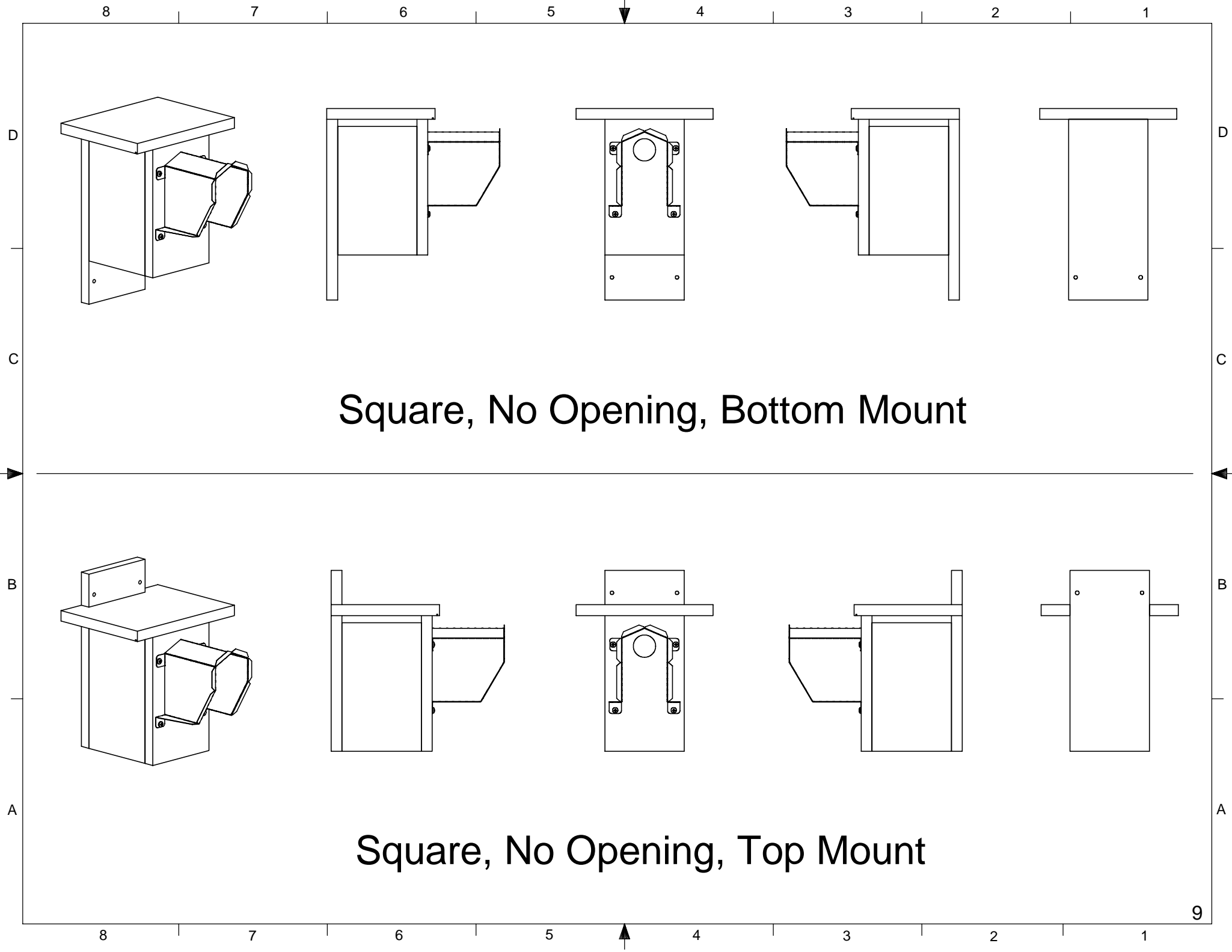


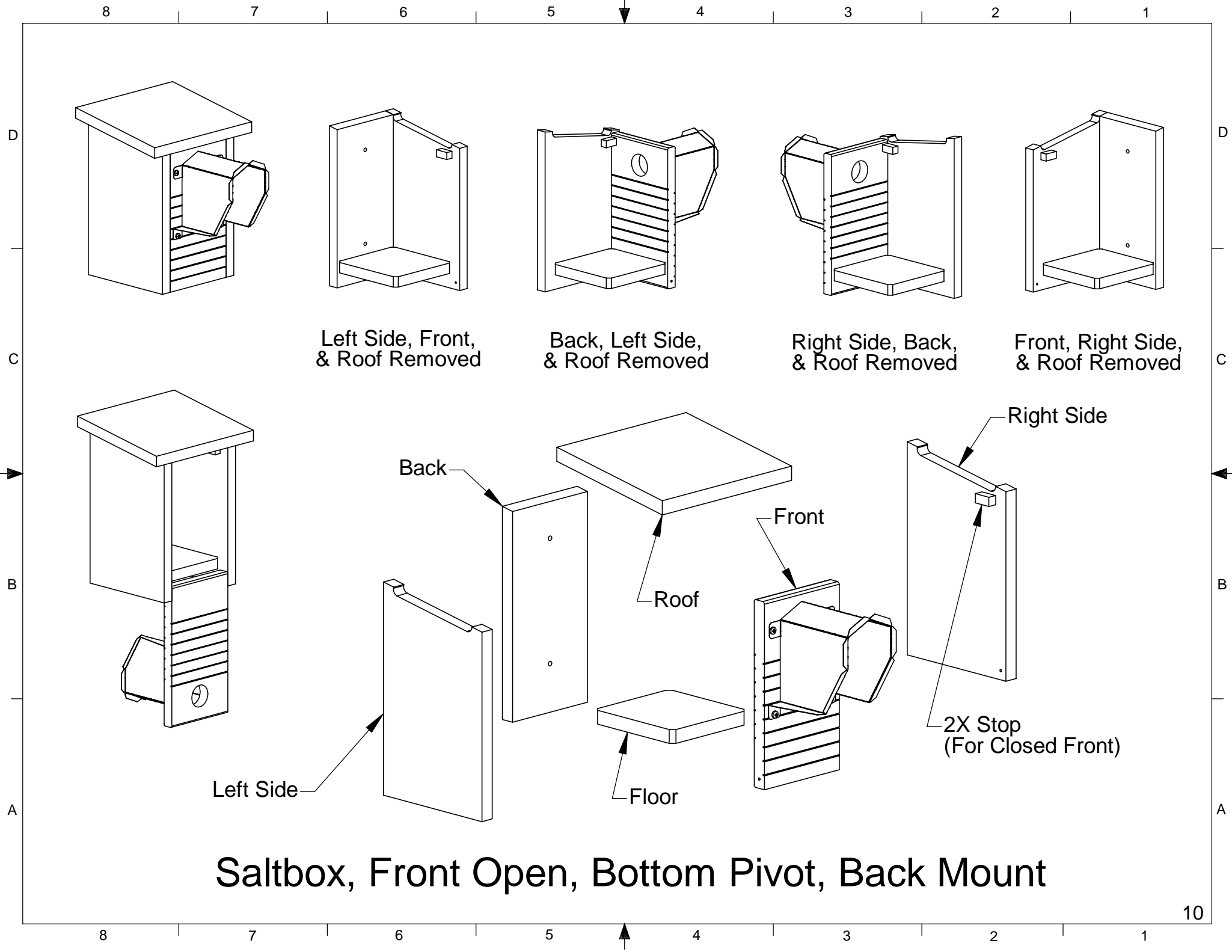


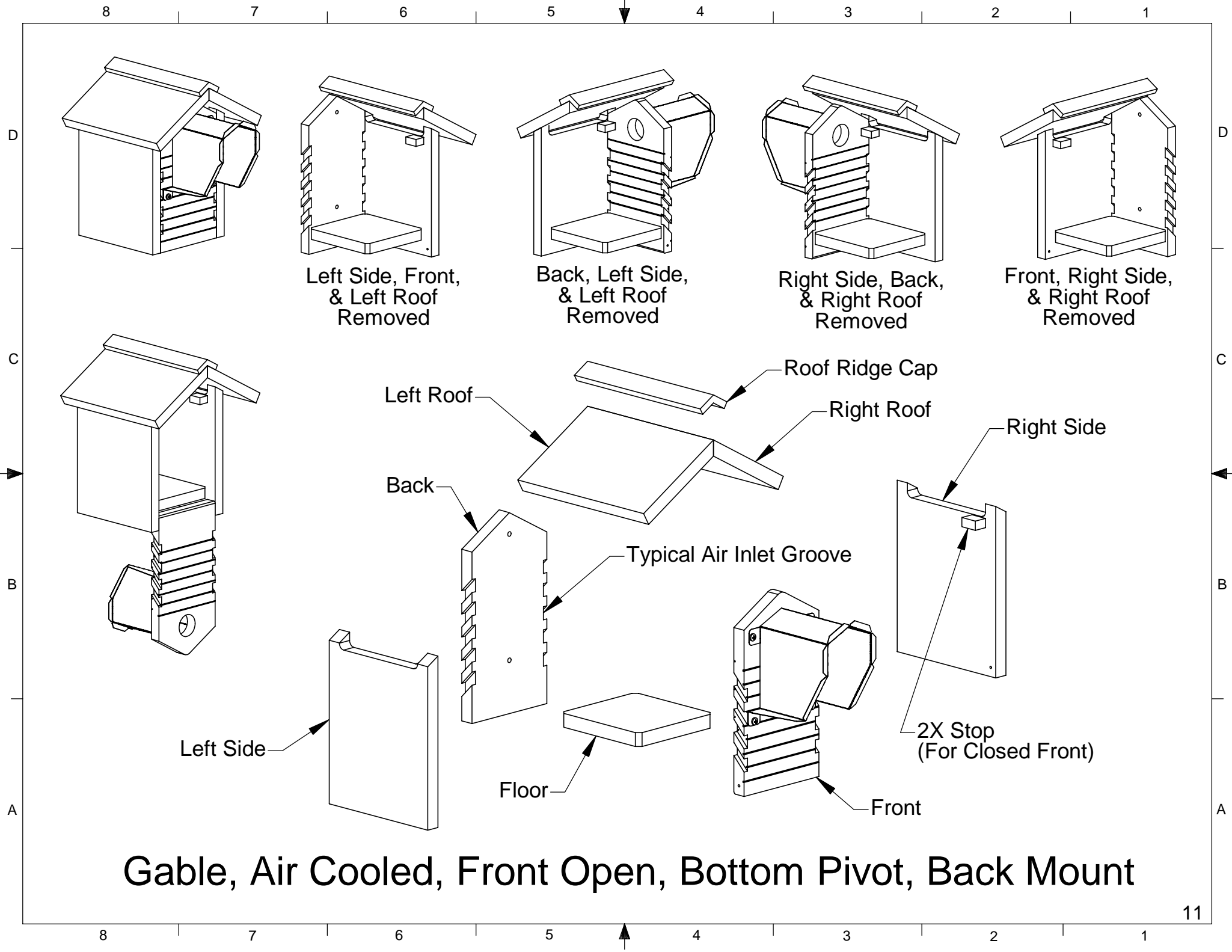












Gable, Air Cooled, Front Open, Bottom Pivot, Back Mount