

8 7 6 5 4 3 2 1

Protect your birds from these critters with **Kritter Gard**®



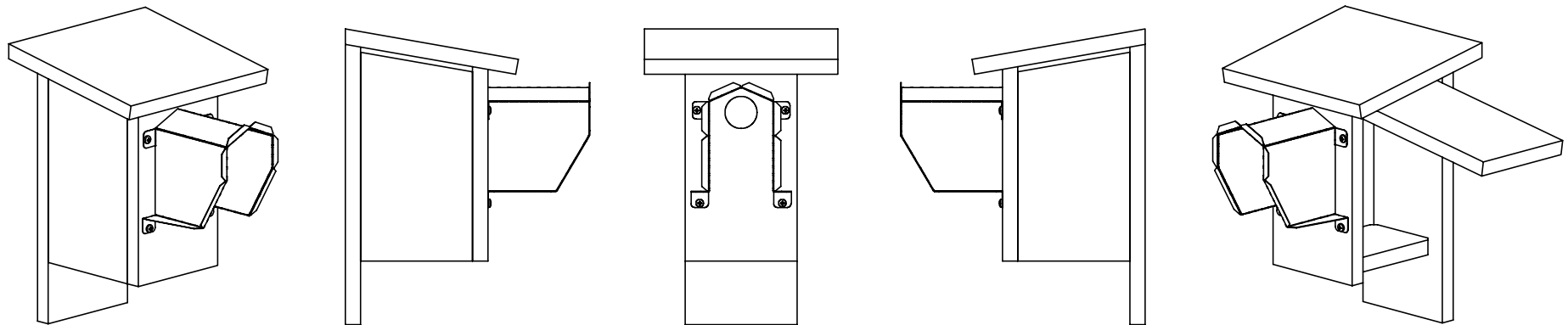
C

Kritter Gard® is a Predator-Weather Guard designed to deter critters from reaching into your birdhouse. It also provides substantial adverse weather protection. The shape and size allows Bluebirds and other small "Cavity Nesting" birds to comfortably fold their wings and land normally on birdhouses and nestboxes.

B

Proudly manufactured in the United States from galvanized steel and installed with standard #10 screws, Kritter Gard® will provide many years of protection for your birds. Our objective is to save a lot of birds, not make a lot of money.

Go to: www.functionalproductdesign.com for latest information and new products.



KRITTER GARD® DIMENSIONS & INSTALLATION (08-22-2008)

Copyright © 2005 - 2008 by Functional Product Design, All Rights Reserved.

SHEET 1

8 7 6 5 4 3 2 1

Congratulations for purchasing Kritter Gard®

Your birds will welcome the added security and comfort.

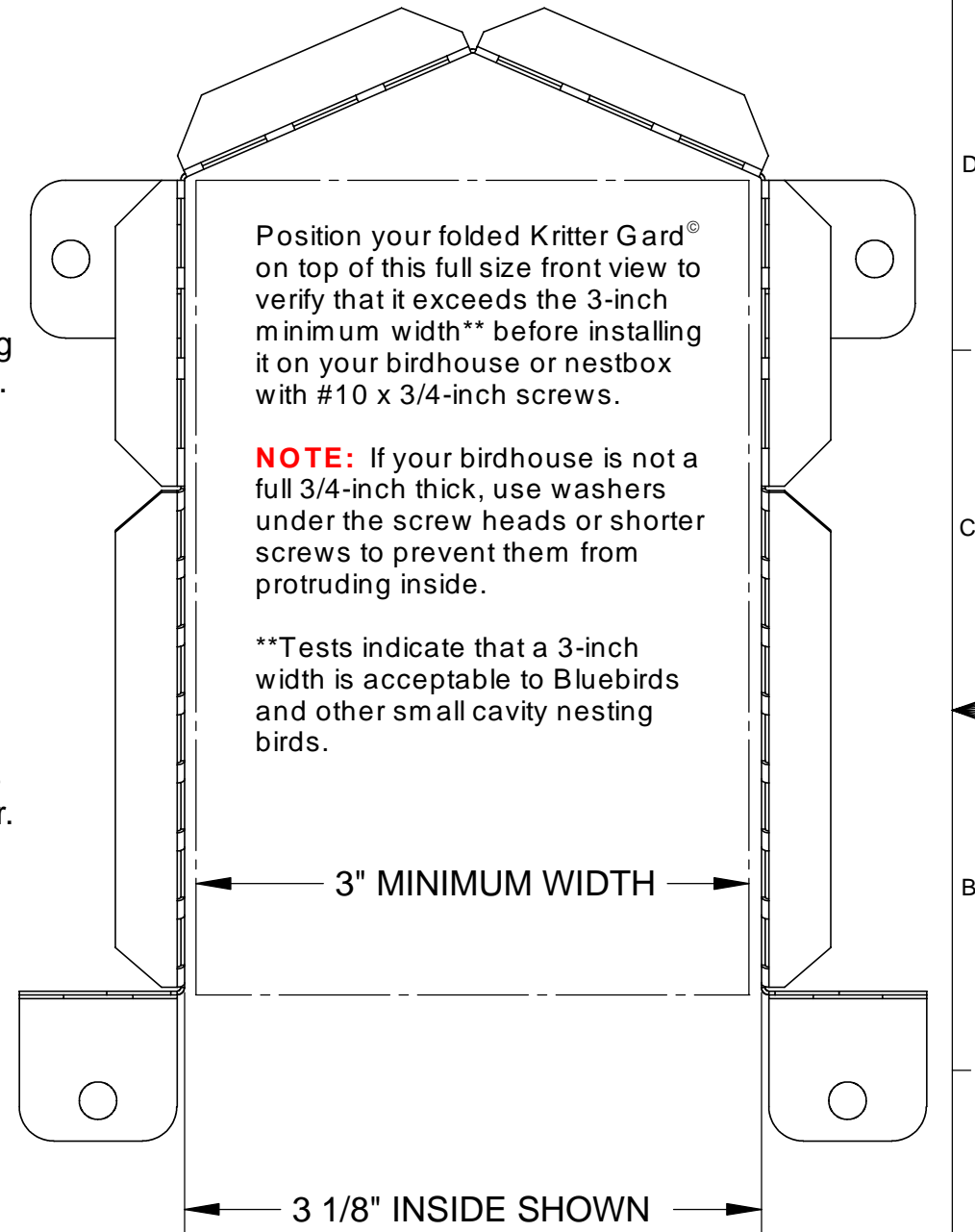
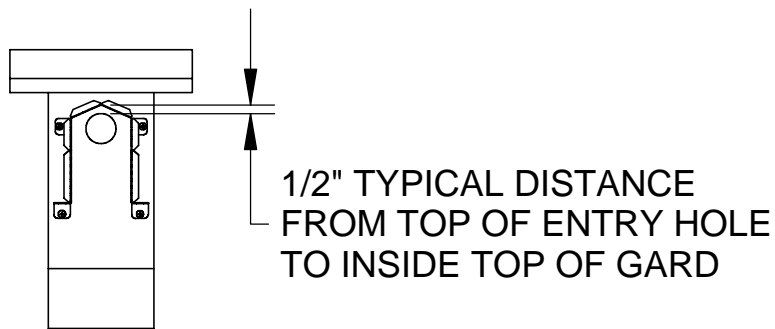
NOTE: Kritter Gard® is sold flat and requires folding to final shape by purchaser. Refer to sheet 3 for suggested folding instructions.

NOTE: Edges of Kritter Gard® are not considered hazardous by "Industry Standards". However in the interest of safety we suggest that you wear gloves to fold the Kritter Gard®. Most gloves including cotton work gloves and rubber dishwashing gloves are satisfactory.

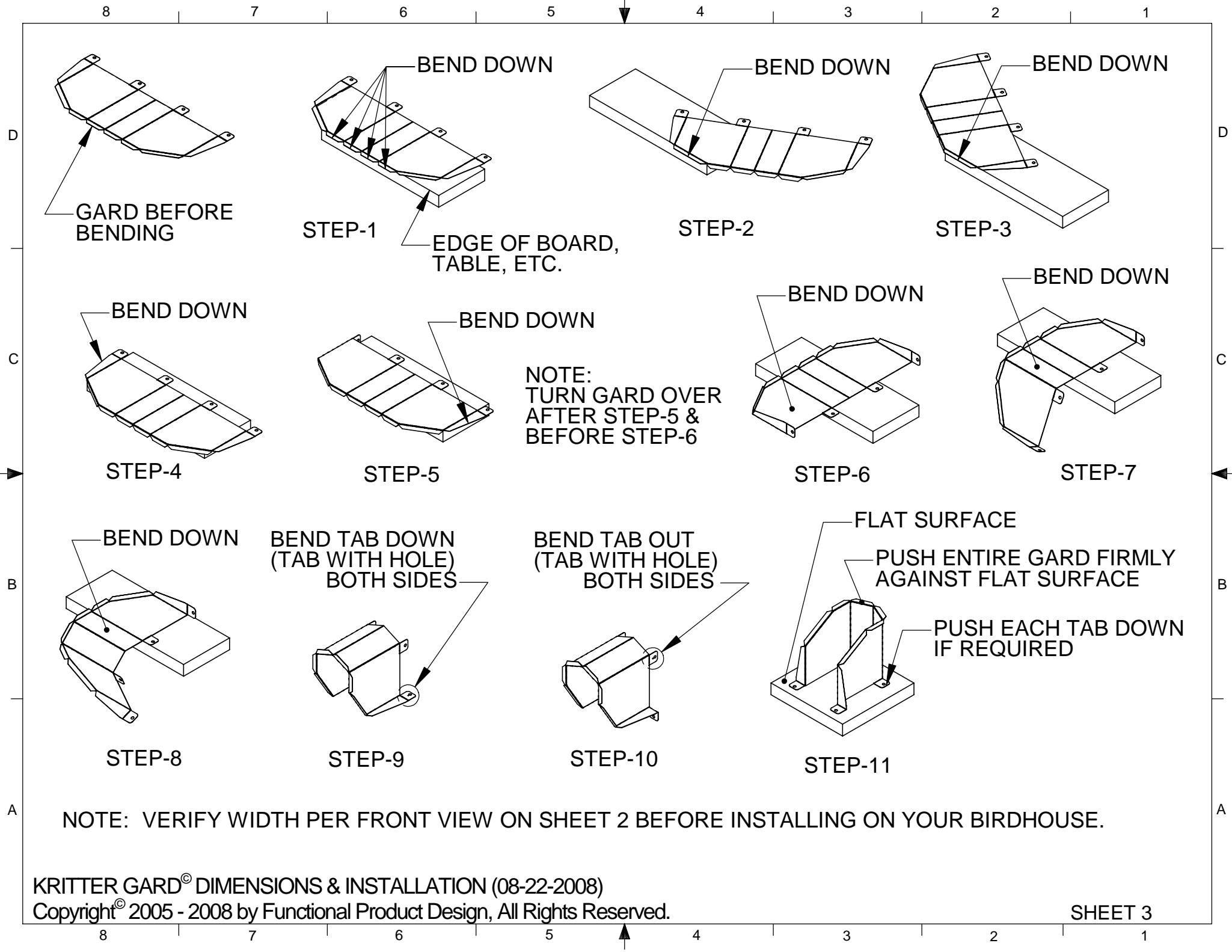
Center flange slots on edge of board, table, etc. before each bend as shown. The four mounting tabs with holes are easily bent by hand without centering their respective slots.

NOTE: The galvanized Kritter Gard® will last many years without painting. However the "as manufactured" surface is quite reflective and in direct sunlight may frighten your birds. Painting with a lead free paint is recommended. If you choose not to paint, you can reduce the reflectivity by immersing the Gard overnight in various commonly found household products containing mild acid such as vinegar or ketchup; or even a combination of both which is stronger. Spraying with an oven cleaner such as "Easy Off" will also work. Be sure to wash off any residue before installation.

NOTE: Installation screws are provided free with Kritter Gard®.



KRITTER GARD® FRONT VIEW
NOTE: PRINT FULL SIZE



8

7

6

5

4

3

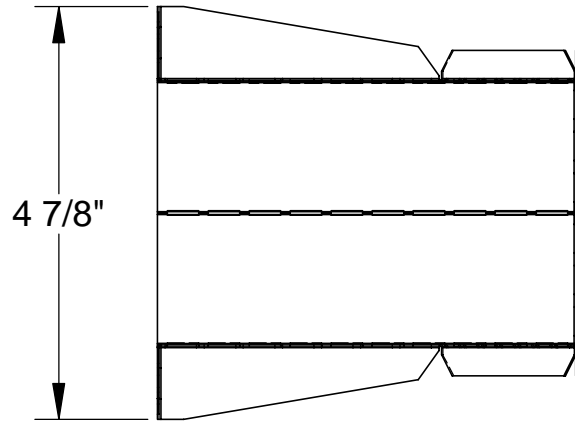
2

1

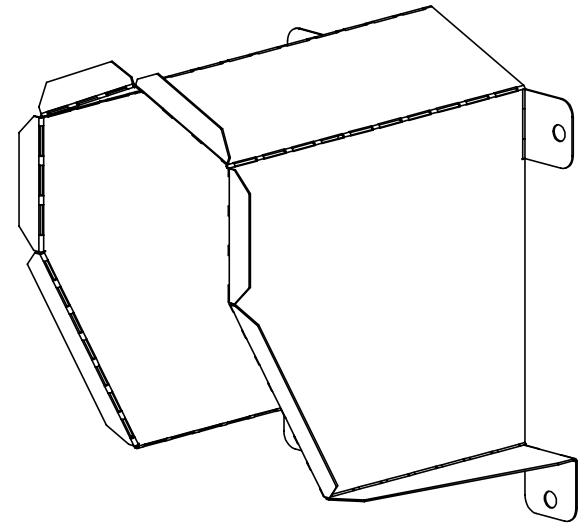
ALL DIMENSIONS ARE IN INCHES.

MATERIAL:
24 GAUGE GALVANIZED STEEL.

D



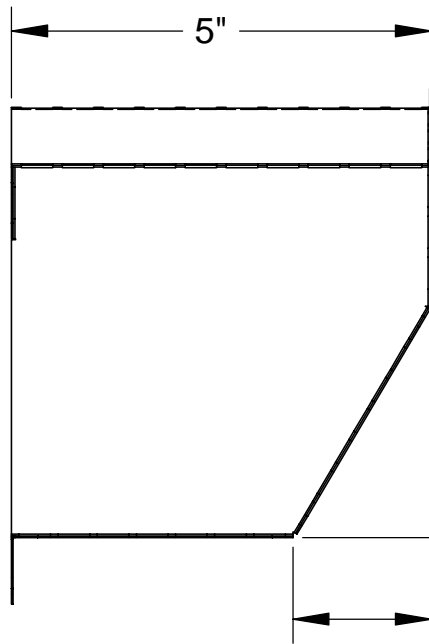
C



D

C

B

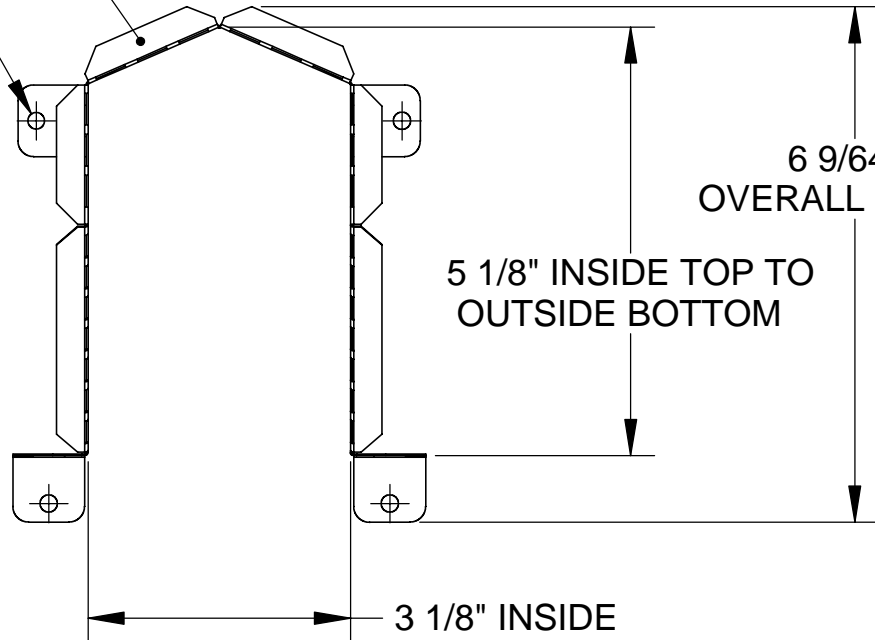


B

A

4X ϕ 13/64"
(FOR #10 SCREWS)

6X 3/8" WIDE FLANGE



B

B

A

8

7

6

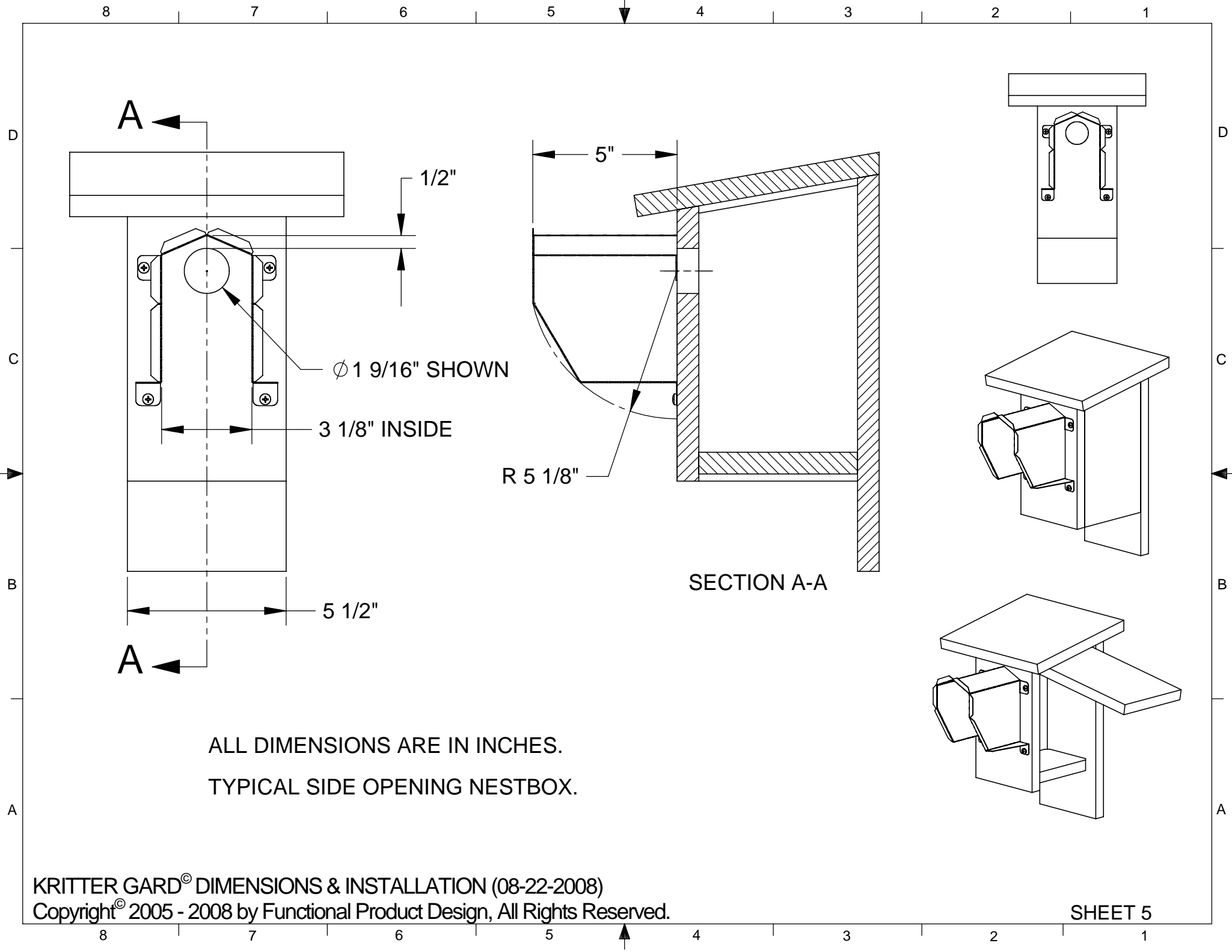
5

4

3

2

1



$\phi 1 \frac{9}{16}$ " SHOWN

3 $\frac{1}{8}$ " INSIDE

5 $\frac{1}{2}$ "

R 5 $\frac{1}{8}$ "

5"

1/2"

SECTION A-A

ALL DIMENSIONS ARE IN INCHES.
 TYPICAL SIDE OPENING NESTBOX.